

S10

PRECISION IN A SINGLE STROKE,
FIBER END FACE IS FLAWLESS

ONE-STEP FIBER CLEAVER



S10

ONE-STEP FIBER CLEAVER

High hardness tungsten steel blade

$\leq 0.8^\circ$

Average
cutting angle

Blade life ≥ 48000 times



S10

ONE-STEP FIBER CLEAVER

4-in-1 universal fixture

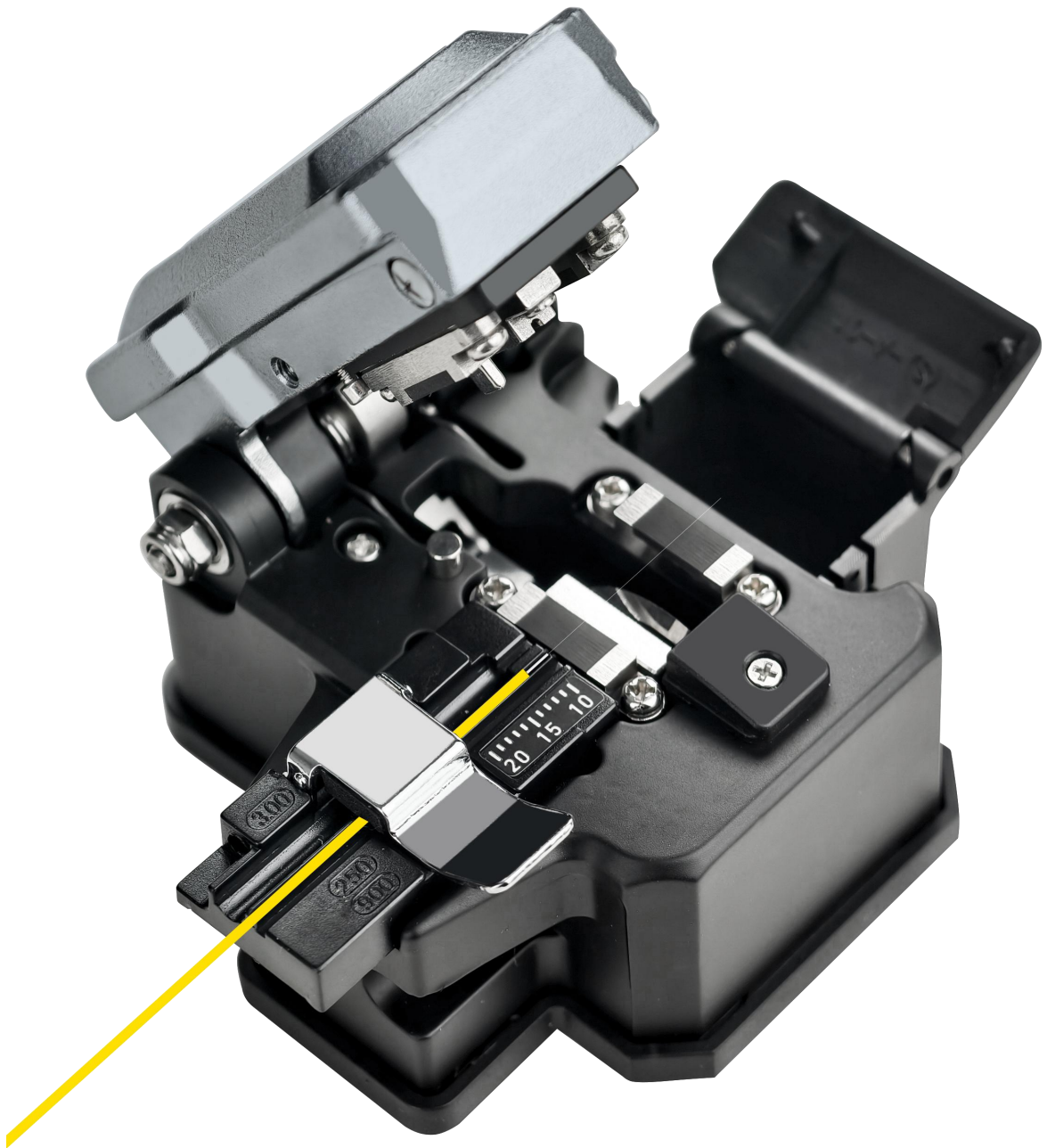
Adapted for various scenarios such as FTTH and trunk line projects

Leather
cable

3.0 Pigtail

900 μ m

125 μ m

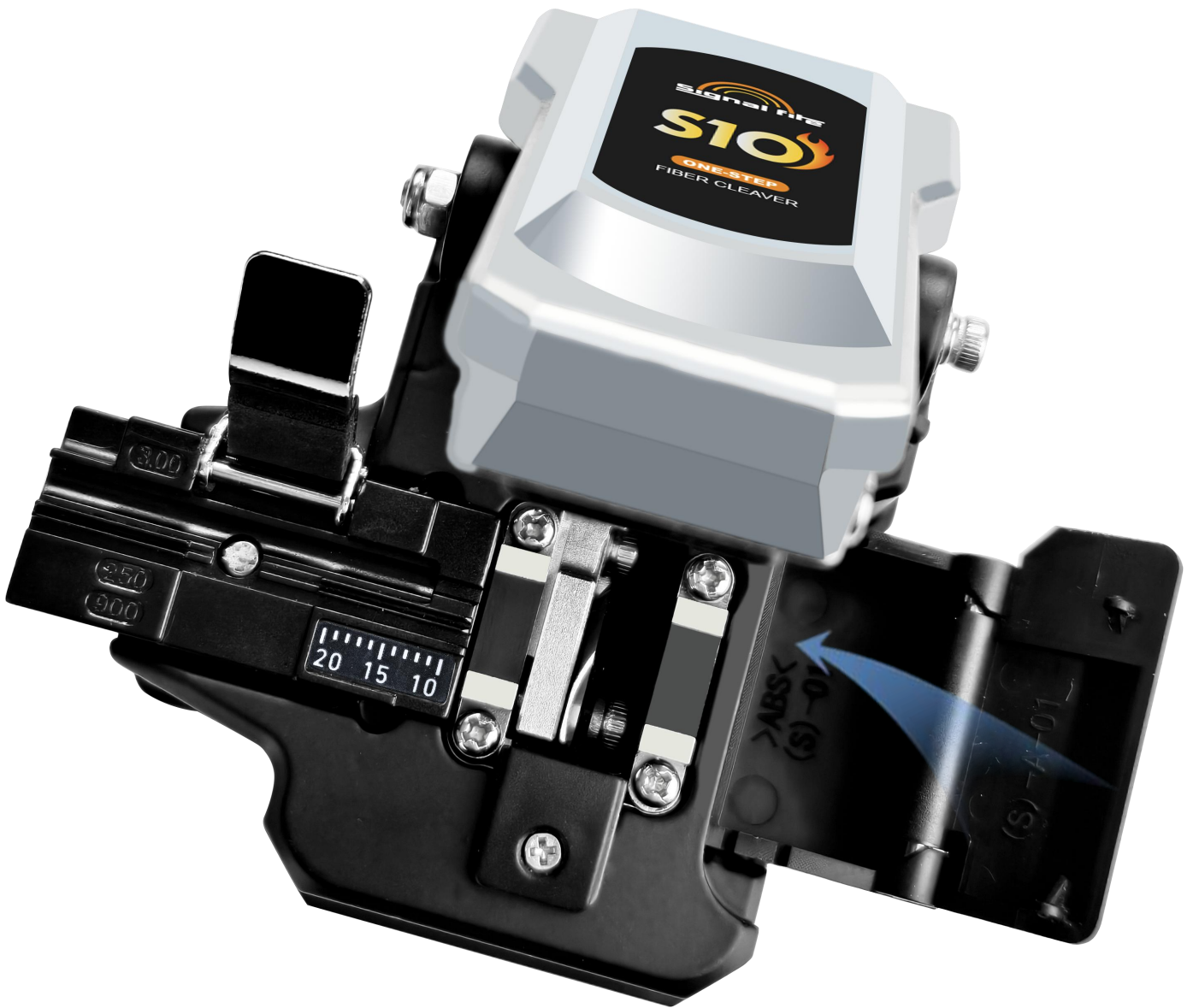


S10

ONE-STEP FIBER CLEAVER

Fiber Scrap Collector

Snap-fit design for easy switching



The top cover can be turned outward

270° to avoid

blocking your hands during operation

S10

ONE-STEP FIBER CLEAVER

Magnesium-aluminum alloy blade

High hardness, impact resistance, and not easy to deform



Net weight: **197g**

Slide one button to unlock the cover



Slide up to close the upper cover

Slide down to open the upper cover



Specification

Applicable Bare Fiber Diameter	125 μ m
Applicable Fiber Core	Single Core
Applicable Parameters of Fixture	10~20+mm(Visible) 5~20+mm(Estimatable)
Average Cutting Angle	$\leq 0.8^{\circ}$
Blade Life	≥ 48000 Times
Blade Type	$\phi 22$ (mm) $\phi 4$ (mm) H:2(mm)
Fiber Fixture	Four In One Fixture



Cleaver weight: 197g

★ This protective box is only available when the cleaver is purchased separately.



Total weight including protective box: 230g